

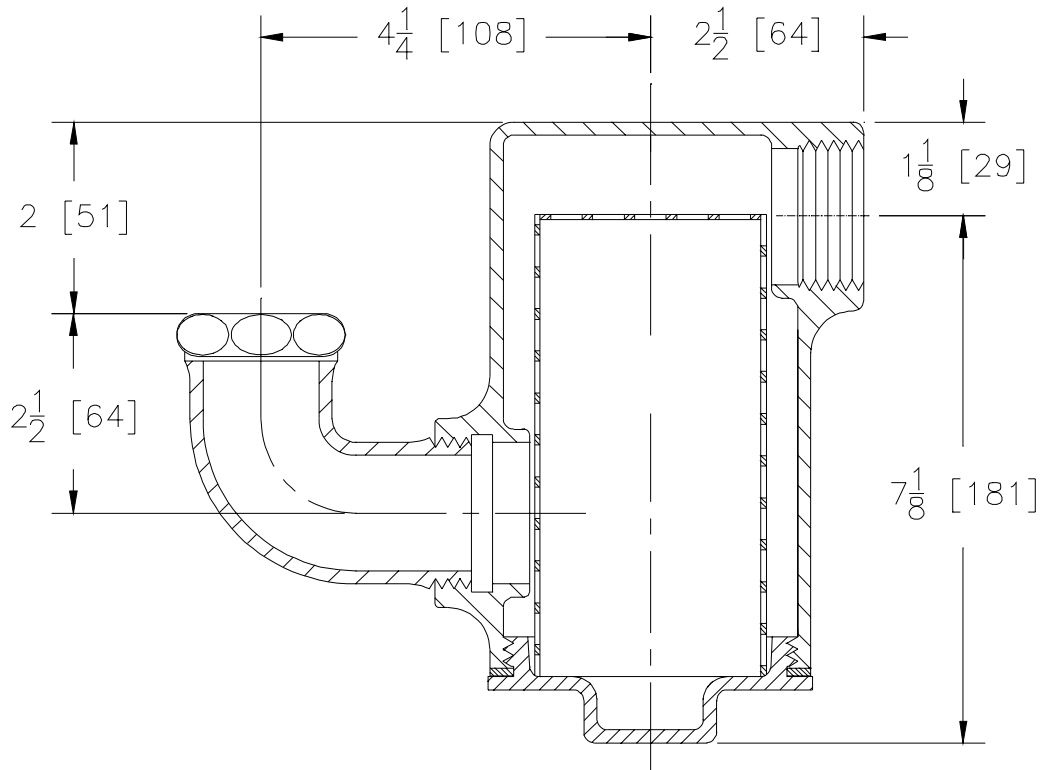


Z1175 HAIR INTERCEPTOR

SPECIFICATION SHEET

TAG _____

Dimensional Data (inches and [mm]) are Subject to Manufacturing Tolerances and Change Without Notice



| Inlet/Outlet Inches | Approx. Wt. Lbs. |
|---------------------|------------------|
| 1 1/2 [38] | 8 [4] |

ENGINEERING SPECIFICATION: ZURN Z1175 Dura-Coated cast iron hair and solids interceptor, in lieu of fixture 'P' trap, with 1-1/2 [38] slip joint elbow inlet and 1-1/2 [38] threaded side outlet, perforated stainless steel basket removable from bottom, with flanged and gasketed cleanout cover with raised hex head.

OPTIONS (Check/specify appropriate options)

PREFIXES

- ___ Z D.C.C.I.*
- ___ ZAB All Satin Finish

SUFFIXES

- ___ -CP Chrome Plated Finish Interior and Exterior
- ___ -YR Replacement Stainless Steel Basket

| | | |
|----------------|---------------|-------------------|
| REV. D | DATE: 2/28/05 | C.N. NO. 93030 |
| DWG. NO. 58910 | | PRODUCT NO. Z1175 |

*REGULARLY FURNISHED UNLESS OTHERWISE SPECIFIED